

#14418 Coffee Spot Kit

Step-by-step assembly instructions

Copyright miniatures.com 2024

PARTS LIST:

- Platform Base (2)
- Platform Short Side (2)
- Platform Long Side (2)
- Building Front
- Building Walls (2)
- Building Ceiling
- Building Roof
- Building Front Shelf
- Building Side Trim (2)
- Building Bottom Trim
- Building Top Trim
- Counter Top/Bottom (2)
- Counter Walls (3)
- Counter Shelves (2)



GENERAL INSTRUCTIONS

- Identify and inspect all parts using the Parts List.
- Thoroughly read the directions before starting.
- Set up a dedicated work area to avoid the need to unpack, repack, or move the project frequently.
- Use a clean, level, and dry work surface protected from glue spills.
- Dry fit the parts using masking tape to ensure everything aligns correctly before permanent assembly.

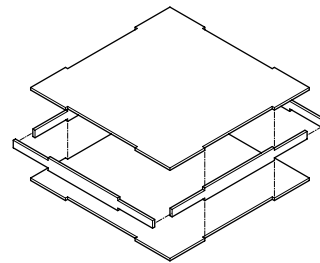
Assembly Instructions

PLATFORM

Parts you will need:

- Platform Base (2)
- Platform Short Side (2)
- Platform Long Side (2)

1. Place the **Base** flat on the work surface.
2. Glue the two **Short Sides** to the **Base** on opposite sides.
3. Glue the two **Long Sides** to the **Base** on opposite sides. Corners are flush.
4. Glue the other **Base** to the top of the assembly.
5. Set aside and let dry.

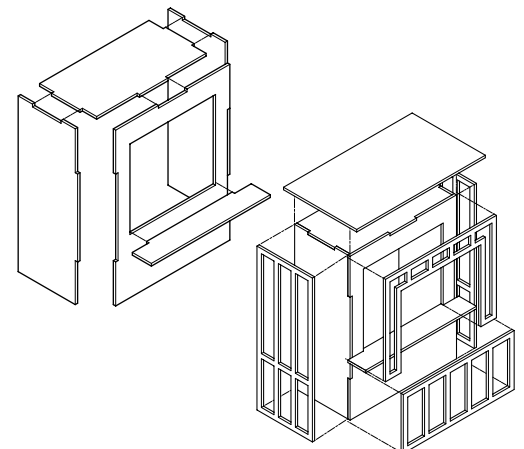


BUILDING

Parts you will need:

- Building Front
- Building Walls (2)
- Building Ceiling
- Building Roof
- Building Front Shelf
- Building Side Trim (2)
- Building Bottom Trim
- Building Top Trim

6. Place the **Front** flat on the work surface.
7. Glue both **Walls** and the **Ceiling** to the front to form a box.
8. Let the glue set for a few minutes.
9. Stand the assembly upright.
10. Glue the **Front Shelf** into the window opening.
11. Glue both **Side Trims** to the exterior side walls. All edges are flush. Notice that the smaller rectangles are towards the bottom.
12. Glue the **Bottom Trim** on the front below the **Front Shelf**. All sides are flush.
13. Glue the **Top Trim** on the front above the **Front Shelf**. All sides are flush.
14. Glue the **Roof** in place. It is flush at the back and overhangs at the front.

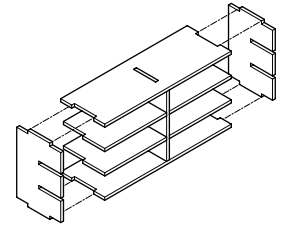
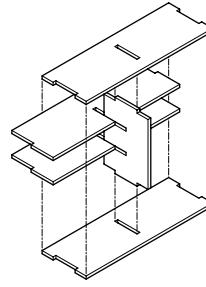


COUNTER

Parts you will need:

- Counter Top/Bottom (2)
- Counter Walls (3)
- Counter Shelves (2)

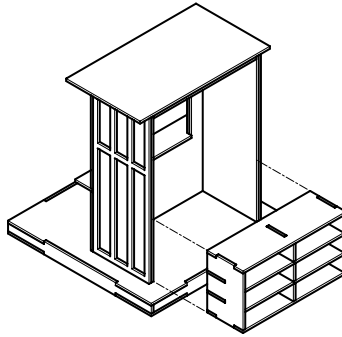
15. Place a **Top/Bottom** flat on the work surface.
16. Glue and slot the **Shelves** into the center of a **Wall**.
17. Glue the center wall into the center slot on a **Top/Bottom**.
18. Glue the remaining **Top/Bottom** to the assembly.
19. Glue remaining **Walls** to each end.



PUTTING IT TOGETHER

20. Place the building assembly on the platform assembly. It can remain removable.
21. Place the shelving assembly inside the building assembly.

Assembly of the Coffee Spot Kit is now complete. Enjoy finishing it as desired.



Parts Diagram

